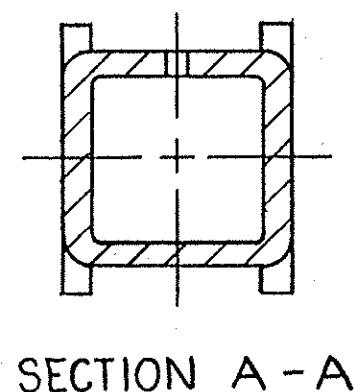
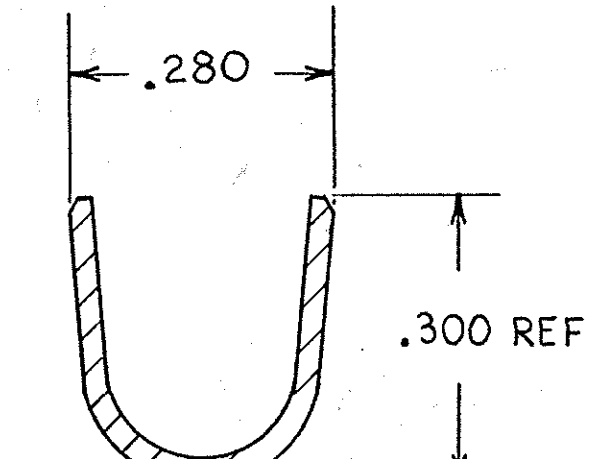
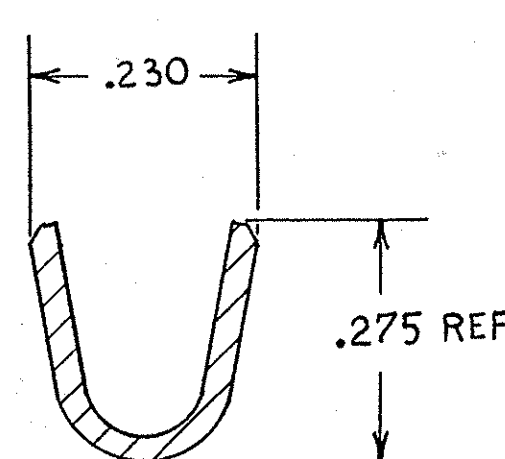
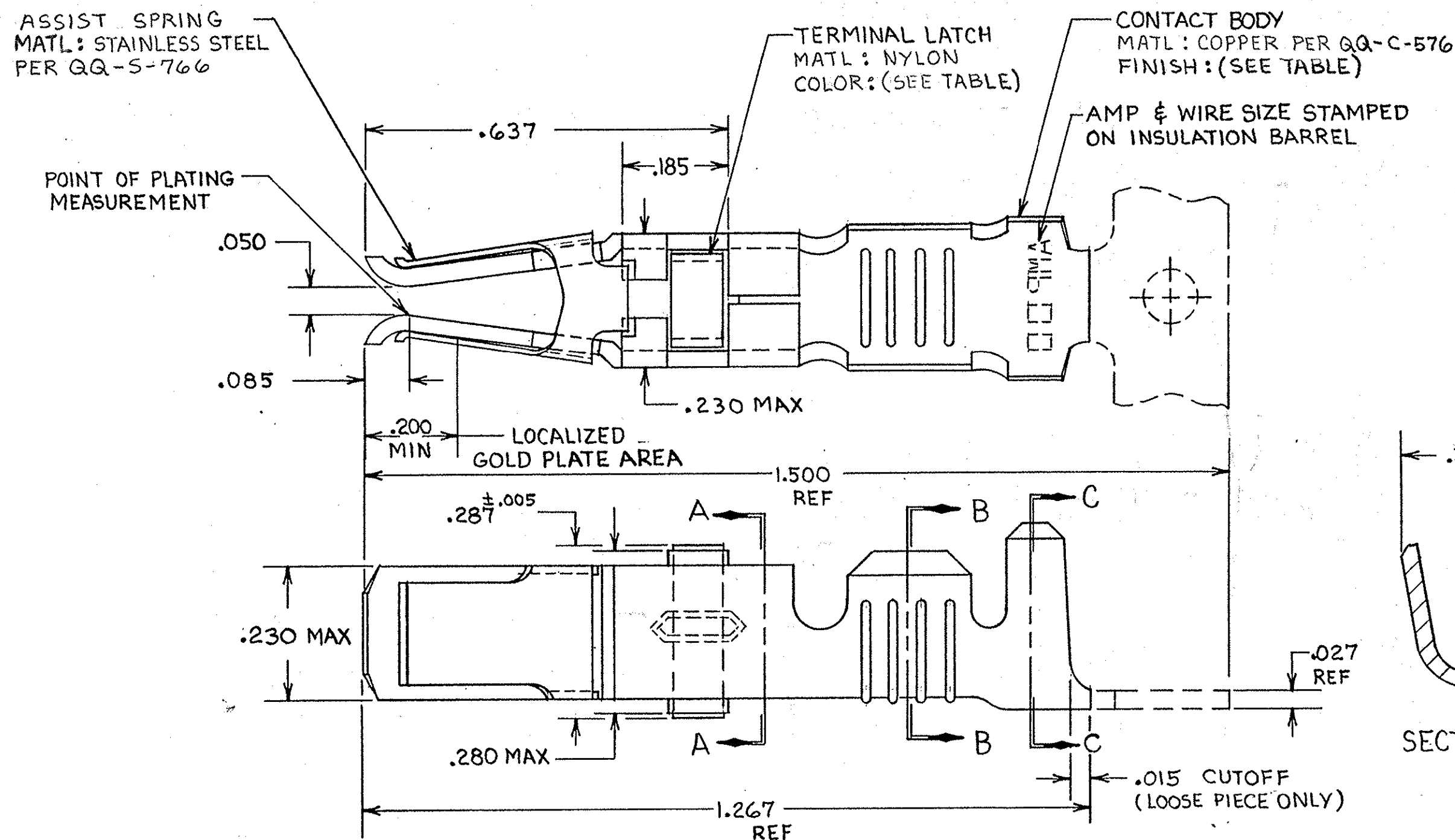


THIS DRAWING IS UNPUBLISHED. RELEASED FOR PUBLICATION . 19 . .
 © COPYRIGHT 19 BY AMP INCORPORATED, HARRISBURG, PA. ALL INTERNATIONAL RIGHTS RESERVED. AMP PRODUCTS MAY BE COVERED BY U.S. AND FOREIGN PATENTS AND/OR PATENTS PENDING.

REVISIONS					
P	F	ZONE	LTR	DESCRIPTION	DATE APPROVED
✓			D	REDRAWN & REVISED PER ECN R-1451	9-25-85 <i>AKR GJB</i>
✓	✓		E	OBSOLETE -3, -4, & 1--0 PER R-2760	3-4-87 <i>SLB</i>
✓	✓		F	REV PER ECN DF-5920	11-25-92 <i>ABM</i>
			G	REV PER 0630-264-03	5-03 <i>DJE</i>



- ① REELED FOR USE WITH STANDARD APPLICATORS.
- ② REELED FOR USE WITH HEAVY DUTY MINI-APPLICATORS.
- ③ PLATED WITH .000100 MIN SILVER PER QQ-S-365.
- ④ PLATED WITH .000015 MIN GOLD PER MIL-G-45204 IN THE LOCALIZED GOLD PLATE AREA, GOLD FLASH ON THE REMAINDER, OVER .000030 MIN NICKEL PER QQ-N-290.
- ⑤ PLATED WITH .000030 MIN GOLD PER MIL-G-45204 IN THE LOCALIZED GOLD PLATE AREA, GOLD FLASH ON THE REMAINDER, OVER .000030 MIN NICKEL PER QQ-N-290.
- ⑥ PLATED WITH .000050 MIN 93-7% TIN-LEAD ALLOY OVER .000030 MIN NICKEL PER QQ-N-290.
- 7. WIRE RANGE = 10 AWG.
- 8. INSULATION RANGE = .190 - .220 DIA.

⑨ PLATED TIN (NO LEAD) .000050 MIN. THK PER ASTM-B-545 OVER NICKEL .000030 MIN. THK PER QQ-N-290.

BLACK	⑨	2-66741-1	2-66741-0	②
BLACK	⑨	2-66741-1	1-66741-9	①
BLACK	⑥	66741-8	1-66741-2	②
BLACK	⑤	66741-6	1-66741-1	②
BLACK	④	OBSOLETE	1-66741-0	②
NATURAL	③	66741-2	66741-9	②
BLACK	⑥	66741-8	66741-7	②
BLACK	⑤	66741-6	66741-5	②
BLACK	④	OBSOLETE	66741-3	②
NATURAL	③	66741-2	66741-1	②
TERMINAL LATCH COLOR	FINISH	LOOSE PIECE PART NO.	STRIP PART NO.	

UNLESS OTHERWISE SPECIFIED DIMENSIONS ARE IN INCHES. TOLERANCES ON: DECIMALS ±.010 ANGLES ±	CONTRACT NO	AMP AMP INCORPORATED Harrisburg, Pa. 17105	
	MATERIAL	NAME FEMALE TYPE XII CONTACT ASSEMBLY, WITH ASSIST SPRING	
	FINISH	SIZE C	FSCM NO 00779
		DRAWING NO 66741	SHEET

CUSTOMER DRAWING